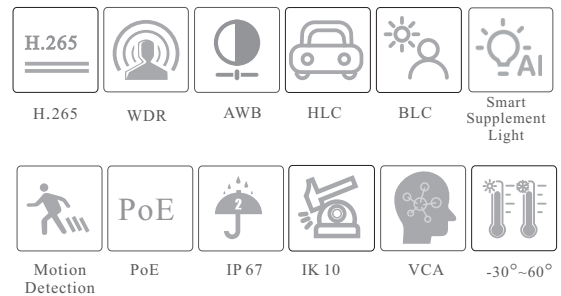


TD-9563E4B-A

6MP Dual-illumination Dome Network Camera



- H.265+/H.265/H.264 +/H.264/MJPEG coding
- Max. resolution: 3296 × 1856
- 30~40m white light view distance; 30~50 IR view distance
- Support smart supplement light
- Support AI ISP
- ICR auto switch, true day / night vision
- 3D DNR, HWDR, HLC, BLC, Smart IR and ROI coding
- Built-in micro SD card slot; up to 512G
- DC12V/PoE power supply
- IP 67 & IK 10 ingress protection
- Support four streams
- Support NAT function
- Support SMD
- Support remote monitoring by smart phones & tablet PCs with iOS and Android OS
- Multiple smart events can be enabled at the same time
- Dual system backup



en.tvt.net.cn

For more information, please visit our website

Shenzhen TVT DIGITAL TECHNOLOGY CO., LTD.

Address: 23rd Floor, Block B4, Building NO.9, Shenzhen Bay Eco-Technology Park, Nanshan District, Shenzhen, Guangdong Province, P.R.China

Tel: +86-755-36995888

Web site: <http://en.tvt.net.cn>

Fax: +86-755-33104777

E-mail: overseas@tvt.net.cn

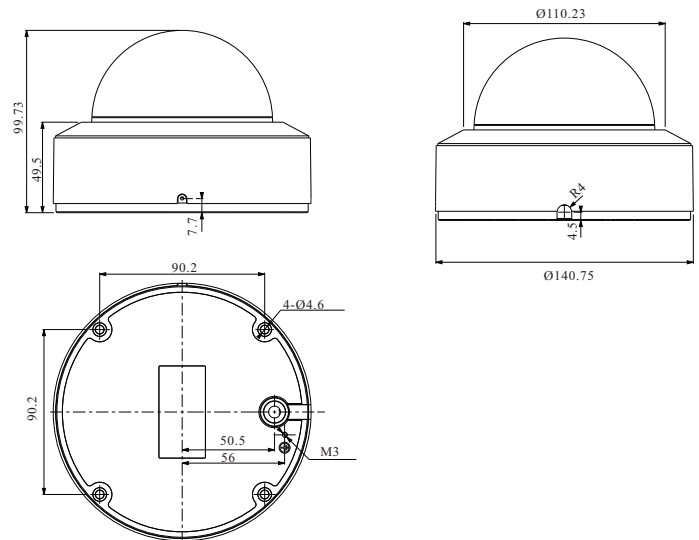
SPECIFICATIONS

Specifications	Model	TD-9563E4B-A		
Camera				
Image Sensor		1 / 2.4" CMOS		
Max. Resolution		3296 × 1856		
Electronic Shutter		1 / 3s ~ 1 / 100000 s		
Iris Type		DC Iris		
Min. Illumination		0.01 lux @F1.6, AGC ON; 0 lux with illumination on		
S/N Ratio		≥50dB		
Lens		2.7~13.5mm@F1.6		
Field of View		Horizontal:104°~36.5°; Vertical: 55°~21°; Diagonal:124°~42°		
Focus		Motorized		
Lens Mount		Ø14		
Wide Dynamic Range		120dB		
BLC		Yes		
HLC		Yes		
Defog		Yes		
Digital NR		3D DNR		
Angle Adjustment		Pan: -165°~180°; Tilt:0°~75°; Rotation: -165°~180°		
Image				
Video Compression		Main/Fourth stream: H.265+/H.265/H.264+/H.264 Sub/Third stream: H.265+/H.265/H.264+/H.264/ MJPEG		
H.264 Compression Standard		Baseline Profile/Main Profile/High Profile		
Resolution		6MP (3296×1856), 3K (3200×1800), 4MP(2688×1520), 2K(2560×1440), 1080P (1920×1080), 720P (1280×720), D1, VGA (640×480), 640×360, CIF, 480×240		
Main Stream		6MP/3K/4MP/2K/1080P (60Hz: 1~30fps; 50Hz: 1~25fps)		
Sub Stream		1080P(60Hz:1~15fps; 50Hz: 1~12fps)/ 720P/D1/VGA/640×360/CIF/480×240 (60Hz:1~30fps; 50Hz:1~25fps)		
Third Stream		720P/D1/VGA/640×360/CIF (60Hz: 1~30fps; 50Hz: 1~25fps)		
Fourth Stream		1080P/720P/D1/VGA/640×360/CIF/480×240 (60Hz:1~30fps; 50Hz:1~25fps)		
Bit Rate		32 Kbps ~ 10 Mbps		
Bit Rate Type		VBR / CBR		
Audio Compression		G711A / U		
Image Settings		ROI, Saturation, Brightness, Hue, Contrast, Wide Dynamic, Sharpness, Image Flip, Image Mirror, NR, etc. adjustable through client software or web browser		
ROI		8 ROI, each ROI to be configured separately		
Interfaces				
Network		RJ 45 (10/100 Base-T)		
Video Output		CVBS (BNC×1)		
Audio		1CH audio input; 1CH audio output; 1CH built-in microphone		
Storage		Built-in micro SD card slot; up to 512G		
Reset		Yes		
Alarm		1CH alarm input; 1CH alarm output		
Intelligent Analytics				
Intelligent Video Detection (IVD)		Line crossing/ region intrusion/entrance/exiting (human/vehicle classification), loitering detection, illegal parking detection, abandoned/missing object detection, people gathering detection		
Statistics		Target counting by line/area, heat map		
Exception Detection		Scene change, video blur and abnormal color detection, audio exception		
Face Detection		Face detection and face capture		
Video Metadata		Simultaneously captures human body, motor vehicle and non-motor vehicle and extracts 13 human features, 4 motor vehicle features and 1 non-motor vehicle feature		
DORI Distance				
Lens	Detect	Observe	Recognize	Identify
2.7~13.5mm(W)	69m(227ft)	28m(92ft)	14m(45ft)	7m(23ft)
2.7~13.5mm(T)	194m(637ft)	78m(255ft)	39m(127ft)	19m(64ft)
Functions				
Remote Monitoring	Web Client/NVR/NVMS/mobile APP			
Web Browser	Chrome 105.0+ / Edge 105.0+ / Firefox 121.0+ / Safari 14.0+			
Online Connection	Support simultaneous monitoring for up to 10 users; Support multi-stream real time transmission			

Network Protocol	UDP, IPv4, IPv6, DHCP, NTP, RTSP, RTP, RTCP, RTMP, FTP, PPPoE, DDNS, SMTP, SNMP, HTTP, 802.1x, UPnP, HTTPS, NAT, QoS, ICMP, IGMP
Interface Protocol	ONVIF Profile S/G/M/T
API&SDK	Yes
Storage	Network remote storage; micro SD card storage
Smart Alarm	Motion detection, SMD, sensor alarm, SD card error, SD card full, IP address conflict, cable disconnection, audio alarm
General Function	Watermark, video mask, heartbeat, image distortion correction, smart IR, smart supplement light, corridor pattern, ANR, cloud upgrade, disarming
Security	Firmware encryption, HTTPS encryption, configuration encryption, video encryption, illegal login lock, IP address filtering, 802.1x, log out after timeout basic and digest authentication for HTTP/RTSP/API service, TLS1.1/1.2/1.3
PoE	Yes, IEEE802.3af, class3
Supplement Light Range	IR range:30 ~ 50 m; white light range: 30 ~ 40 m
Ingress Protection	IP 67& IK10
Others	
Power Supply	DC12V/PoE
Power Consumption	DC12V: < 9.9W; PoE: < 11.4W
Storage Conditions	- 30 °C ~ 65°C (-22°F~149°F), Humidity: less than 95 % (non-condensing)
Operating Conditions	- 30 °C ~ 60 °C (-22°F~140°F), Humidity: less than 95 % (non-condensing)
Dimensions (mm)	Ø 141 × 100
Weight (net)	Approx. 0.889KG
Material	Aluminum alloy body
Installation	Ceiling mounting; Wall mounting
Certificate	CE, FCC
Environmental Protection	Directive EU RoHS, WEEE(2012/19/EU), and REACH(EC1907/2006)

DIMENSIONS

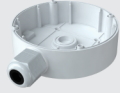
Unit: mm



AVAILABLE MODEL

Available Model	TD-9563E4B-A(D/AZ/PE/AW3)
-----------------	---------------------------

AVAILABLE ACCESSORIES



TD-YXH0207



TD-YZJ0701B



TD-YZJ0216



TD-YXH0207+
TD-YZJ0407



TD-YXH0207+
TD-YZJ0811



TD-YXH0207+
TD-YZJ0407+TD-YZJ0501



TD-YXH0207+
TD-YZJ0407+TD-YZJ0601



TD-YZJ0216+
TD-YZJ0501



TD-YZJ0216+
TD-YZJ0601